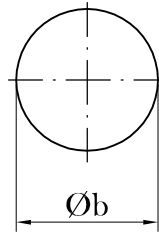
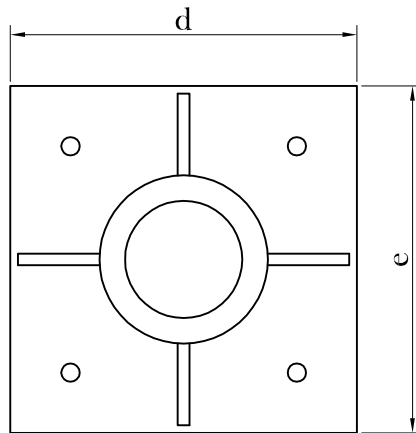


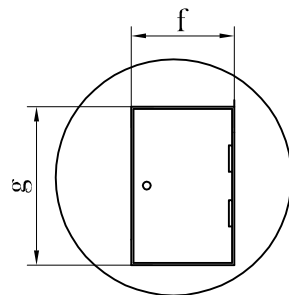
Bottom Section



Top Section



Base plate



Door Detail

