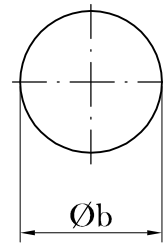
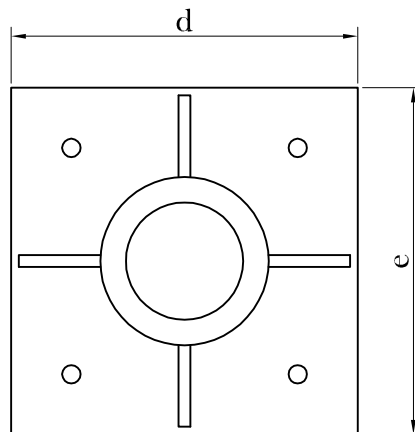


Bottom Section

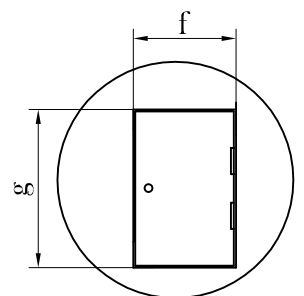


Top Section



Th=h

Base plate



Door Detail